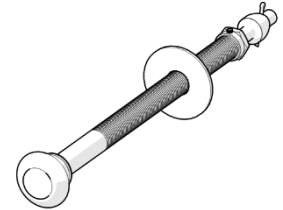


Safe-Cell CP-BS Prison Cistern Push Button Assembly

PRODUCT CODES

- 127837



SPECIFICATIONS

- Suits Front Press Cisterns
- Provides both anti-vandalism and anti-ligature features to ensure they can be trusted to perform in high risk areas such as public toilets or secure environments such including Prisons, Correctional Facilities and Detention Centres.
- Minimises suicide risk, self-harm risk, and hiding of contraband
- High quality chrome finish for easy cleaning and hygiene maintenance
- Australian made; therefore, spare parts and support are available locally, reducing maintenance and downtime costs.

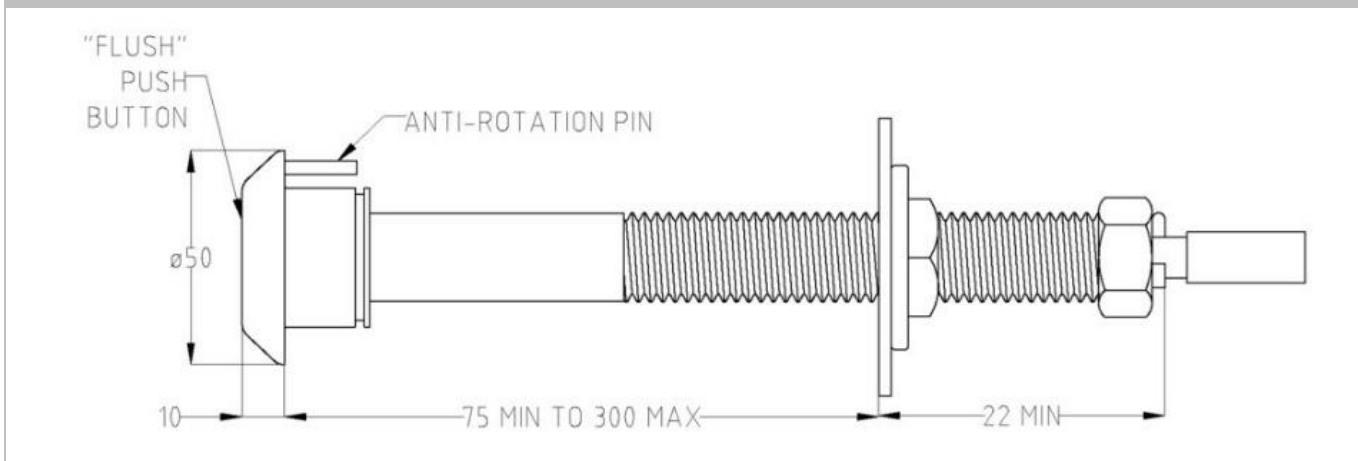
IMPORTANT:

TECHNICAL DATA

Inlet	N/A
Outlet	N/A
Headwork	Push Button
Construction	Brass
Finish	Chrome

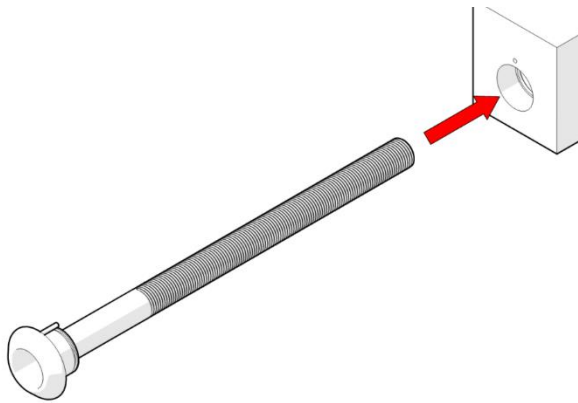
NOTE: Galvin Engineering continually strive to improve their products. Specifications may change without notice.

DIMENSIONS



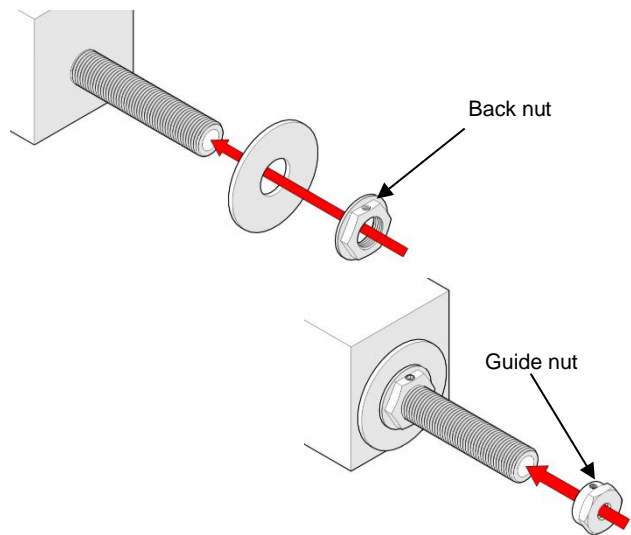
INSTALLATION

INSTALLATION COMPLIANCE: Galvin Engineering products must be installed in accordance with these installation instructions and in accordance with AS/NZS 3500, the PCA and your local regulatory requirements. Water and/or electrical supply conditions must also comply to the applicable national and/or state standards. Failing to comply with these provisions shall void the product warranty and may affect the performance of the product.



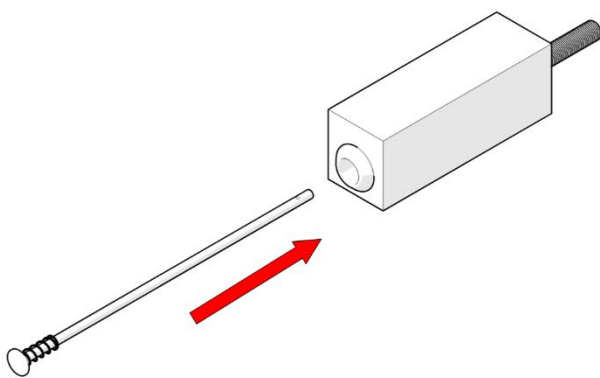
1. Insert Main Body

- Insert main body through wall and mark for cutting if too long. Remove any burrs.
- Consider anti-rotation pin position when inserting.



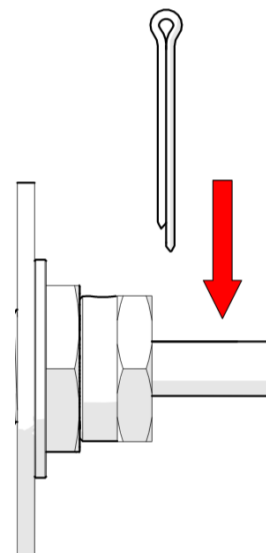
2. Secure Body

- Secure body using the large galvanised washer and flanged backnut
- Fit guide nut at the end and tighten lightly



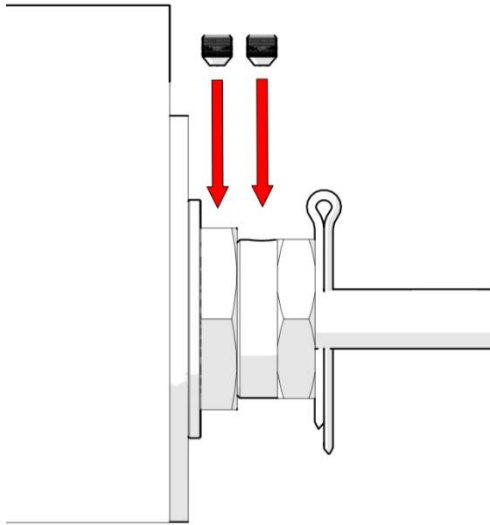
3. Fit Push Rod & Button

- Fit push rod & button through the main body



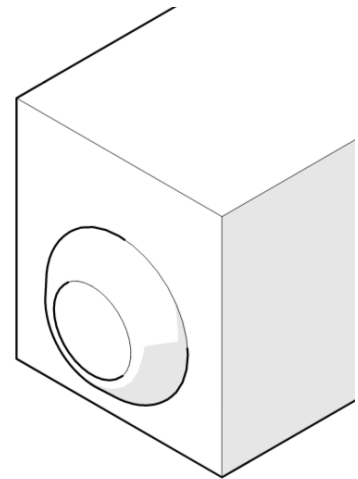
4. Fit cotter pin

- Drill through the extended rod with a Ø3.5mm drill
- Fit the cotter pin through the drilled hole and bend over the ends to stop it from falling out during use



5. Fit Grub Screws

- Fit the supplied grub screws into the guide nut and the flanged back nut and lock securely.



6. Checking and Testing

- Check to ensure the Push Button assembly functions.
- Connect water supply, inspect the tap and check for any leaks.

TROUBLESHOOTING

PROBLEM	CAUSE	RECTIFICATION
Water is not flowing from tap	Water is turned off	Turn on water

WARRANTY

The warranty set forth herein is given expressly and is the only warranty given by the Galvin Engineering Pty Ltd. With respect to the product, Galvin Engineering Pty Ltd makes no other warranties, express or implied. Galvin Engineering Pty. Ltd. hereby specifically disclaims all other warranties, express or implied, including but not limited to the implied warranties of merchantability and fitness for a particular purpose.

Galvin Engineering Pty Ltd products are covered under our manufacturer's warranty available for download from www.galvinengineering.com.au Galvin Engineering Pty Ltd expressly warrants that the product is free from operational defects in workmanship and materials for the warranty period as shown on the schedule in the manufacturer's warranty. During the warranty period, Galvin Engineering will replace or repair any defective products manufactured by Galvin Engineering without charge, so long as the terms of the Manufacturer's warranty are complied with.

The remedy described in the first paragraph of this warranty shall constitute the sole and exclusive remedy for breach of warranty, and Galvin Engineering Pty Ltd shall not be responsible for any incidental, special or consequential damages, including without limitation, lost profits or the cost of repairing or replacing other property which is damaged if this product does not work properly, other costs resulting from labour charges, delays, vandalism, negligence, fouling caused by foreign material, damage from adverse water conditions, chemical, electrical or any other circumstances over which Galvin Engineering has no control. This warranty shall be invalidated by any abuse, misuse, misapplication, improper installation or improper maintenance or alteration of the product.